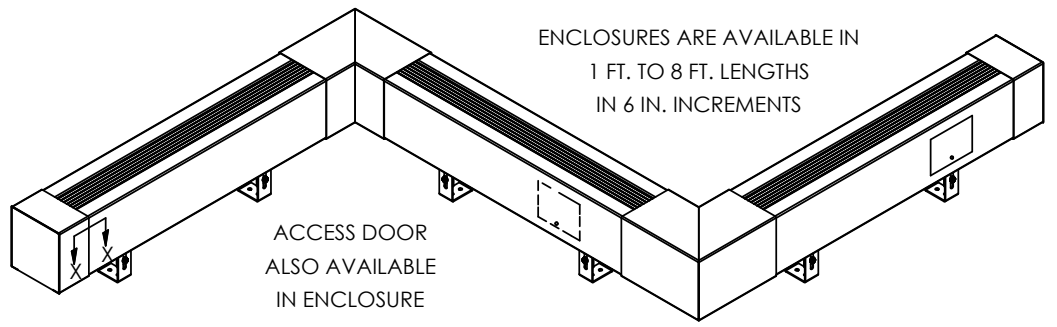
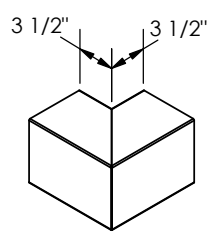
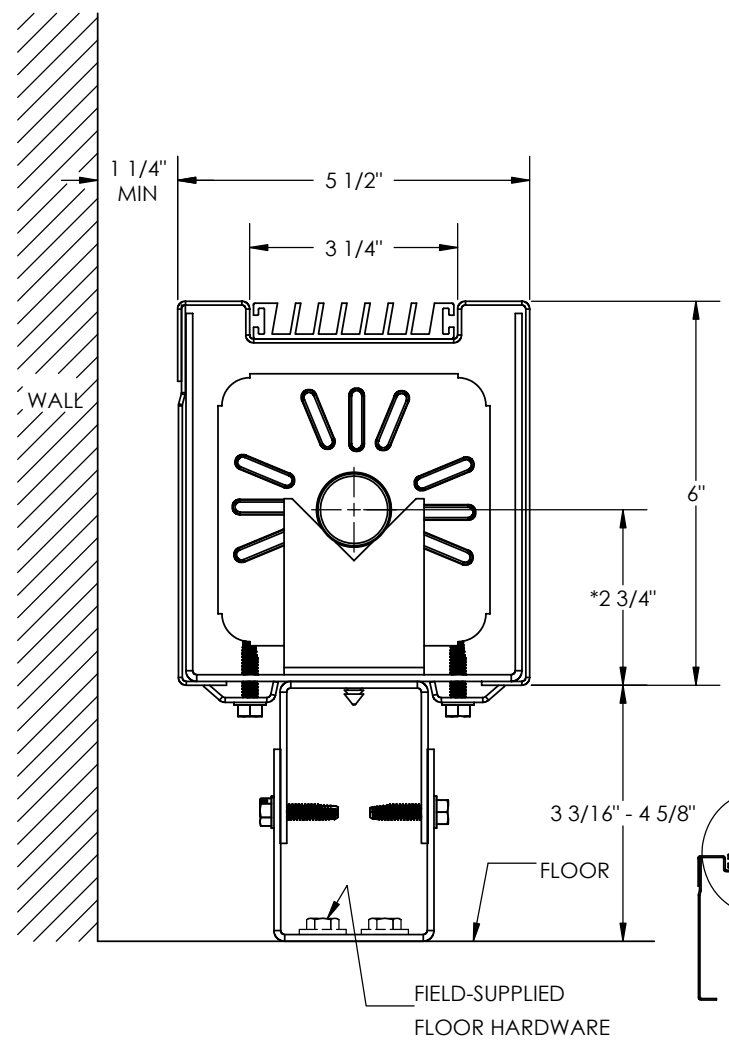


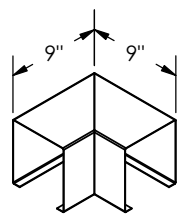
ENCLOSURES ARE AVAILABLE IN  
1 FT. TO 8 FT. LENGTHS  
IN 6 IN. INCREMENTS



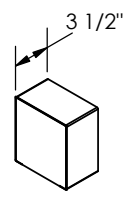
ACCESS DOOR  
ALSO AVAILABLE  
IN ENCLOSURE



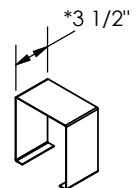
"OC"  
OUTSIDE CORNER



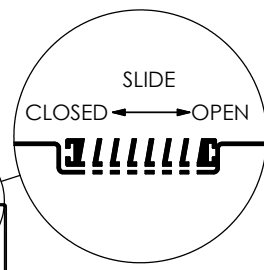
"IC"  
INSIDE CORNER



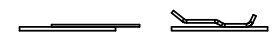
"EC"  
END CAP  
(LEFT HAND SHOWN)



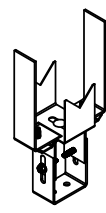
"WT"  
WALL TRIM STRIP  
\*3-1/2", 5", 7-1/2"



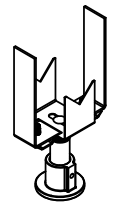
SLIDE DAMPER OPTION



SECTION X-X  
INTERNAL JOGGLE-JOINER



"PED - ADJ"  
PEDESTAL 506 1 ROW  
ADJUSTABLE BRACKET



"PED - ALU"  
PEDESTAL 506 1 ROW  
ALUM FLANGE BRACKET

\*CENTERLINES BASED ON 1" COPPER TUBE  
4-1/4" SQ FIN SHOWN

NOTE:  
1) ALL ACCESSORIES OVERLAP

CONTRACTOR _____	ELEMENT _____
ARCHITECT _____	RATING _____ B.T.U. _____ A.W.T. _____ E.A.T.
ENGINEER _____	BACKPLATE _____ FULL _____ PARTIAL _____
REPRESENTATIVE _____	ENCL. GAUGE _____ MATERIAL _____
LOCATION _____	COLOR _____ DAMPER _____

<b>zehnder</b>		<b>BUFFALO, NEW YORK 14220</b>	
MODEL: PIBG506		MATERIAL:	
JOB:		REVISION: -	DWN BY:
DWG. NO.:		DATE: May 2018	